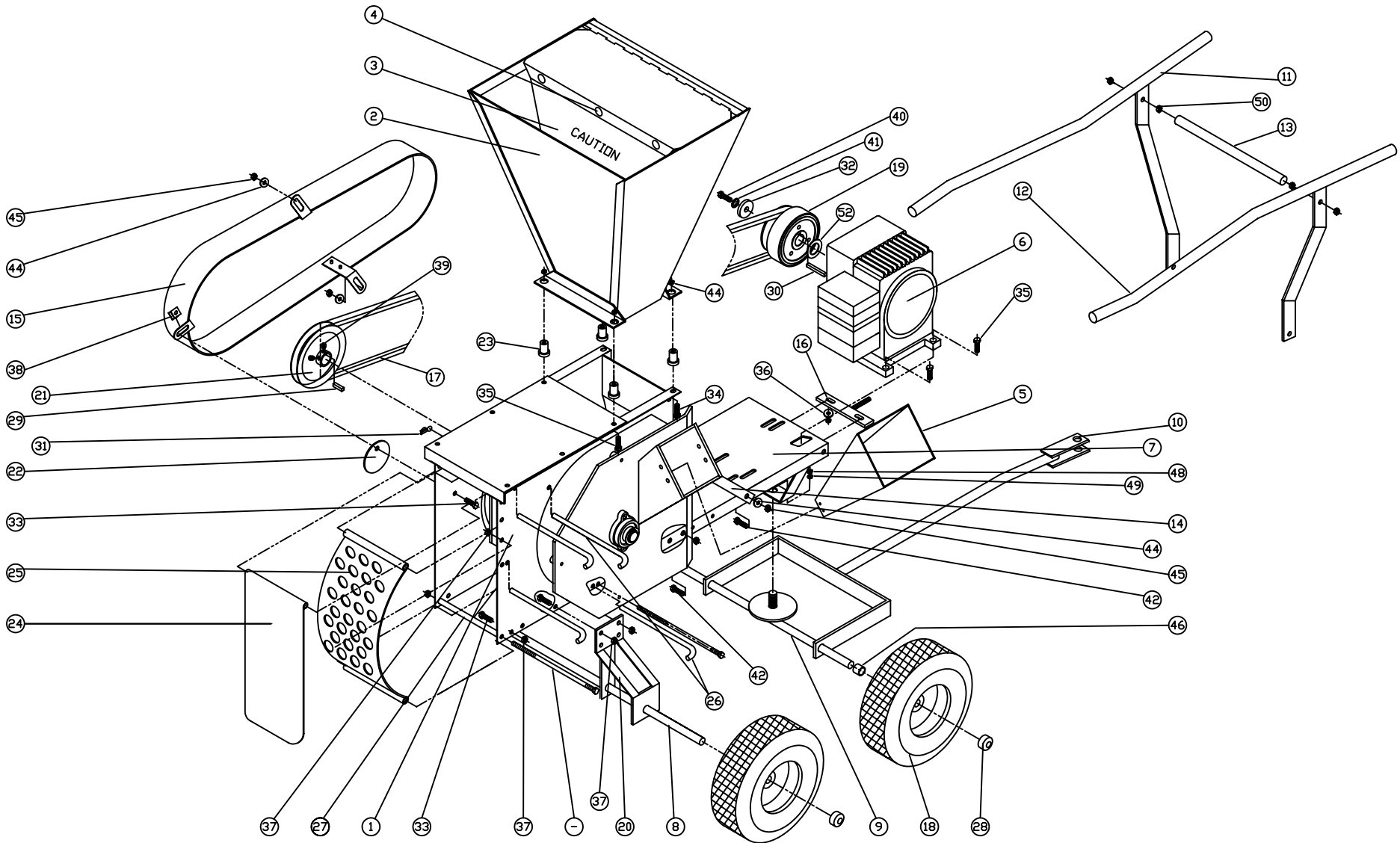


SECTION VI - PARTS

12P/12PT/12PTE PARTS LIST

ITEM #	PART #	PART #	PART #	QTY	DESCRIPTION
	12P	12PT	12PTE		REFER TO PAGE 17
1	900-0147	900-0147	900-0147	1	BASIC UNIT
2	900-0248	900-0248	900-0248	1	SHREDDER HOPPER WELDMENT
3	900-0073	900-0073	900-0073	1	FLEX GUARD
4	800-0026	800-0026	800-0026	3	PUSH BUTTONS
5	913-0379	913-0379	913-0379	1	CHIPPER HOPPER KIT
6	030-0507	030-0507	030-0509	1	ENGINE - B&S
7	908-0080	908-0080	908-0080	1	ENGINE BASE WELDMENT
8	908-0048	908-0048	908-0048	1	AXLE
9		908-0032	908-0032	1	FRONT AXLE WELDMENT
10		908-0029	908-0029	1	TOW HITCH WELDMENT
11	908-0036			1	LH HANDLE WLDMNT
12	908-0037			1	RH HANDLE WLDMNT
13	908-0006			1	HANDLE TIE ROD
14	908-0072	908-0072	908-0072	2	ENGINE BASE BRACE
15	900-0102	900-0102	900-0102	1	BELT GUARD ASSEMBLY
16	908-0078	908-0078	908-0078	1	BELT TENSIONER
17	030-0233	030-0233	030-0233	1	5H570 BELT
18	703-0108	703-0108	703-0108	4	4.10/3.50 X 4" PNEUMATIC WHEEL(QTY-2 ON 12P)
19	030-0164	030-0164	030-0164	1	CLUTCH
20	908-0060	908-0060	908-0060	2	AXLE BRACKET
21	030-0229	030-0229	030-0229	1	PULLEY
22	900-0040	900-0040	900-0040	1	COVER PLATE
23	500-0068	500-0068	500-0068	4	VIBRATION DAMPENERS
24	900-0010	900-0010	900-0010	1	BAFFLE PLATE
25	500-0004	500-0004	500-0004	1	SCREEN-1" HOLES
26	500-0015	500-0015	500-0015	4	SCREEN AND BAFFLE ROD
27	500-0020	500-0020	500-0020	1	SPACER
28	090-0457	090-0457	090-0457	4	PUSH CAPS (QTY-2 ON 12P)
29	500-0031	500-0031	500-0031	1	1/4 X 1/4 X 1" KEY
30	703-0424	703-0424	703-0424	1	1/4 X 1/4 X 2" KEY
31	100-0015	100-0015	100-0015	4	COTTER PIN
32	804-0018	804-0018	804-0018	1	WASHER
33	090-0066	090-0066	090-0066	5	5/16-18 X 3/4" HHCS PLTD.
34	090-0089	090-0089	090-0089	2	5/16-18 X 1-1/4" HHCS PLTD.
35	090-0090	090-0090	090-0090	6	5/16-18 X 1-1/2" HHCS PLTD.
36	090-0233	090-0233	090-0233	4	5/16 FLATWASHER(6)
37	090-0460	090-0460	090-0460	13	5/16-18 NYLOCK NUT
38	090-0438	090-0438	090-0438	1	5/16-18 J-NUT
39	080-0053	080-0053	080-0053	2	5/16-18 X 5/16" SET SCREW W/ NYLON PATCH
40	090-0021	090-0021	090-0021	1	3/8-24 X 1-1/4" HHCS
41	090-0228	090-0228	090-0228	1	3/8 LOCKWASHER
42	090-0110	090-0110	090-0110	6	3/8-16 X 1" HHCS(5)
43		090-0111	090-0111	1	3/8-16 X 1-1/4" HHCS
44	090-0234	090-0234	090-0234	2	3/8 FLATWASHER
45	090-0461	090-0461	090-0461	7	3/8-16 NLOCK NUT(5)
46		500-0012-P	500-0012-P	2	5/8 SPACER
48		090-0442	090-0442	1	5/8-11 JAM NUT
49		090-0210	090-0210	1	5/8-11 HEX NUT
50	090-0207			4	3/8" HEX NUT
51	090-0462			4	5/16-18 x 3/4 CARRIAGE BOLT
52	090-0024-4	090-0024-4	090-0024-4	1	SHIM
---			030-0244	1	12 VOLT BATTERY
---			900-0332	1	BATTERY BOX
---			090-0076	2	BATTERY HOLD DOWN - 5/16-18 x 3 1/2" HHCS
---			913-0097	1	POSITIVE BATTERY CABLE
---			913-0098	1	NEGATIVE BATTERY CABLE

12P/12PT/12PTE MAIN ASSEMBLY



12P/12PT/12PTE
MAIN ASSEMBLY

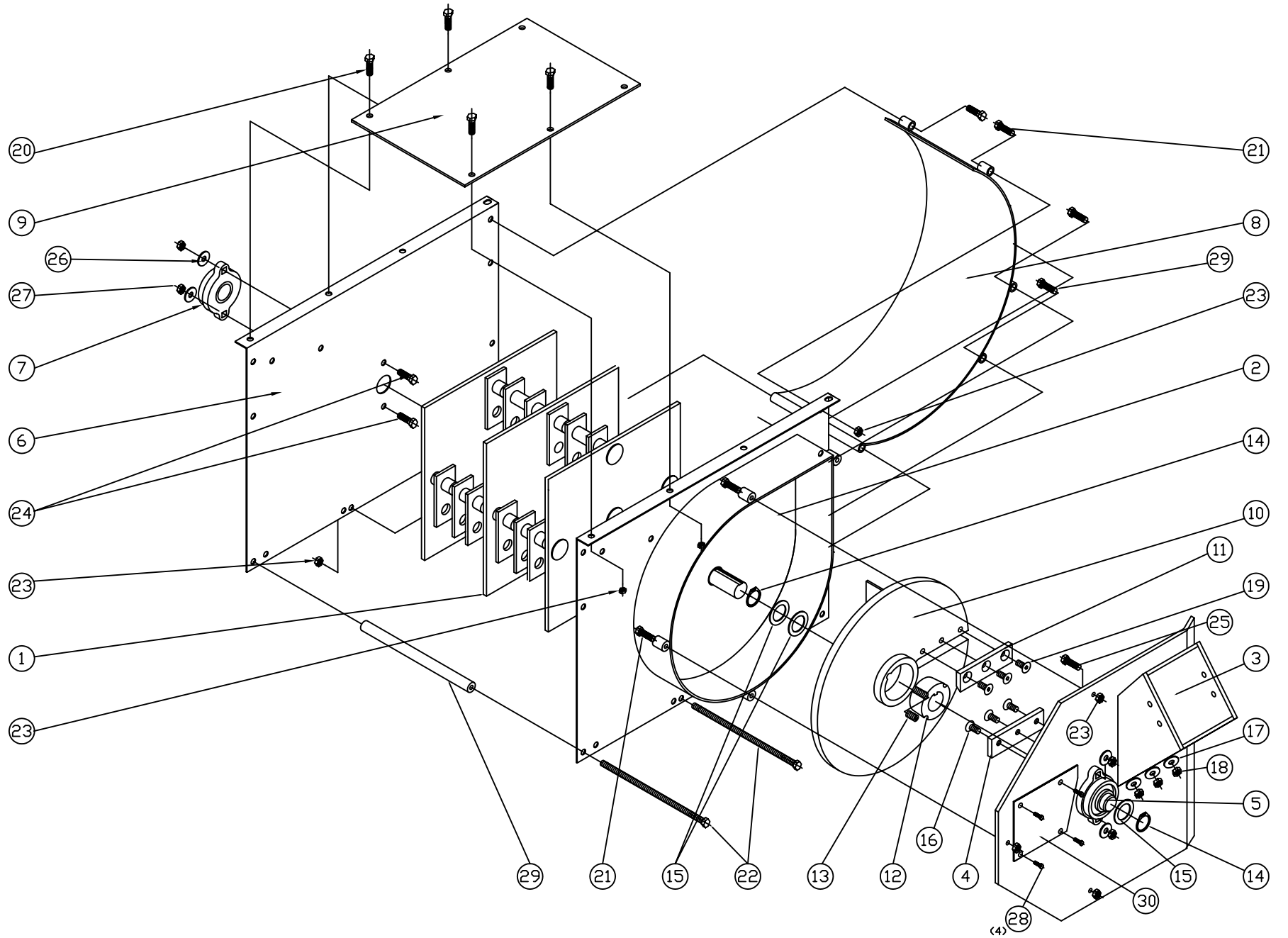
**900-0147 – 12P/PT/PTE BASIC MACHINE
PARTS LIST**

ITEM #	PART #	QTY	DESCRIPTION
1	900-0148	1	ROTOR ASSEMBLY
2	900-0097	1	CHIPPER SIDE PLATE WELDMENT
3	900-0336	1	CHIPPER PLATE AND CHUTE WELDMENT
4	913-0325	1	WEAR PLATE
5	030-0279	1	1 3/16" BEARING – CHIPPER SIDE
6	900-0096	1	DRIVE SIDE PLATE
7	030-0134	1	1 3/16" BEARING – DRIVE SIDE
8	900-0005	1	SCROLL WELDMENT
9	900-0045	1	TOP PLATE
10	900-0243	1	CHIPPER DISK – COMPLETE WITH KNIFE
11	913-0259	1	KNIFE KIT – COMPLETE WITH HARDWARE AND LOCTITE
12	030-0118	1	TAPERLOCK BUSHING
13	020-0001	2	3/8-16 X 5/8" SET SCREW
14	030-0117	1	RETAINING RING
15	090-0023	3	SHIM
16	090-0677	3	1/4-20 X 1" CARRIAGE BOLTS
17	090-0245	3	1/4 SAE FLATWASHER
18	090-0470	3	1/4-20 NYLOCK NUT
19	090-0258	3	5/16-18 X 3/4" FHSCS
20	090-0066	4	5/16-18 X 3/4" HHCS
21	090-0089	9	5/16-18 X 1 1/4" HHCS
22	500-0064	2	5/16-18 X 9 1/2" HHCS
23	090-0048	17	5/16-18 GRIPCO LOCK NUT
24	090-0110	2	3/8-16 X 1" HHCS
25	090-0121	2	3/8-16 X 1 1/4" HHCS
26	090-0240	4	3/8" SAE FLATWASHER
27	090-0049	4	3/8-16 GRIPCO LOCK NUT
28	090-0162	4	10-32 X 3/8" SELF TAPPING SCREW
29	090-0090	2	5/16-18 X 1-1/2 HHCS
30	090-0676	1	SHR-118 RETAINING RING
31	900-0071-1	1	ACCESS COVER

900-0148 – 12P/PT/PTE ROTOR ASSEMBLY

ITEM #	PART #	QTY	DESCRIPTION
1	900-0084	1	ROTOR WELDMENT
2	900-0100-3	4	HAMMER ROD
3	500-0008	24	HAMMERS
4	500-0010	4	SPACER – 5/16"
5	500-0012	4	SPACER – 5/8"
6	500-0011	20	SPACER – 7/8"
7	030-0153	4	GROOVE PIN

12P/PT/PTE BASIC MACHINE ASSEMBLY



12P/PT/PTE
BASIC MACHINE ASSEMBLY

